

# UCA Chart Help

This set of charts shows the Unicode Collation Algorithm values for Unicode characters. The characters are arranged in the following groups:

- Null** Completely ignoreable (primary, secondary and tertiary levels)  
These include control codes and various formatting codes.
- Ignorable** Ignorable at a primary level, but not at a secondary or tertiary level.  
These include most accents and diacritics.
- Variable** Characters that may be set to ignorable by a programmatic switch.  
These include spaces, punctuation marks, and most symbols.
- Common** Characters that are none of the above, but not considered letters.  
These include numbers, currency symbols, etc.
- Letters** According to script
- Unsupported** Not explicitly supported in this version of UCA; uses code-point order

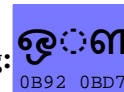
The characters\* within each group are arranged in cells. The color of the cell indicates the strength of the difference between that character and the *previous* character in the chart, as follows.

Characters which are displayed in blue are not in the Doulos SIL font.

<u>No Expansion</u>		<u>Expansion</u>	
<b>a</b> 0061	Primary difference	<b>dz</b> 01F3	Primary difference
<b>á</b> 00E1	Secondary Difference	<b>DZ</b> 01F1	Secondary Difference
<b>À</b> 0041	Tertiary difference	<b>Dz</b> 01F2	Tertiary difference
<b>Ā</b> 212B	Quarternary difference or no difference		Quarternary difference or no difference

\*In some cases, the UCA data table also includes contractions.

They can be recognized by the multiple code point numbers, as in the following:



## Notes

- The UCA results are versioned *both* by the version of the UCA *and* by the version of The Unicode Standard used to process the data.
- These charts only provide one of the alternatives for handling variable characters (punctuation), whereby these characters are **non-ignorable**.
- Characters from large blocks, such as CJK-Ideographs, Hangul Syllables, Private Use Area, etc. are represented by a sampling.
- Some unassigned code points, noncharacters and other edge cases are also added to the list for comparison.
- For more information, see [UTS #10: Unicode Collation Algorithm](#).

# Cyrillic

а 0430	◌ ◻ 2DF6	А 0410			
ă 0430 0306	ă 04D1	Ă 0410 0306	Ă 04D0		
ä 0430 0308	ä 04D3	Ä 0410 0308	Ä 04D2		
ə 04D9	Ə 04D8				
ë 04D9 0308	ë 04DB	Ë 04D8 0308	Ë 04DA		
æ 04D5	Æ 04D4				
б 0431	◌ ◻ 2DE0	Б 0411			
в 0432	◌ ◻ 2DE1	В 0412			
г 0433	◌ ◻ 2DE2	Г 0413	г 0491	Ґ 0490	
ґ 0493	Ґ 0492				
ҕ 04FB	ҕ 04FA				
ђ 0495	Ђ 0494				
ѓ 04F7	Ѓ 04F6				

Д 0434	◌ ◻ 2DE3	Д 0414				
ɖ 0501	ɖ 0500					
ɗ A681	ɗ A680					
ɥ 0452	ɥ 0402					
ɟ A663	ɟ A662					
ɠ 0503	ɠ 0502					
ɨ 0433 0301	ɨ 0433 0341	ɨ 0453	ɨ̇ 0403	ɨ̇ 0413 0301	ɨ̇ 0413 0341	
ɣ 0499	ɣ 0498					
ɛ 0435	◌ ◻ 2DF7	Е 0415	è 0450	È 0400	ë 0451	Ë 0401
ě 0435 0306	ě 04D7	Ě 0415 0306	Ě 04D6			
€ 0454	€ 0404					
ж 0436	◌ ◻ 2DE4	Ж 0416	ж 04C2	Ж̇ 04C1		
зк A685	зк A684					
ж̇ 0436 0308	ж̇ 04DD	Ж̇ 0416 0308	Ж̇ 04DC			
ж̇ 0497	ж̇ 0496					
з 0437	◌ ◻ 2DE5	З 0417				
з A641	з A640					
ɣ 0505	ɣ 0504					

ε 0511	Ɔ 0510				
ö 0437 0308	ö 04DF	ö 0417 0308	ö 04DE		
Ƶ A643	ƶ A642				
Ŧ 0455	Ŧ 0405				
Ʒ A645	Ʒ A644				
Ʒ 04E1	Ʒ 04E0				
Ƨ A689	Ƨ A688				
Ƨ 0507	Ƨ 0506				
Ƨ A683	Ƨ A682				
и 0438	И 0418	й 045D	Й 040D	й 04E3	Й 04E2
й 048B	Й 048A				
й 0438 0308	й 04E5	Й 0418 0308	Й 04E4		
ı 0456	İ 0406				
ı A647	İ A646				
ï 0456 0308	ï 0457	Ï 0406 0308	Ï 0407		
й 0438 0306	й 0439	Й 0418 0306	Й 0419		
j 0458	J 0408				
Ɑ A649	◌ ◻ 2DF8	Ɑ A648			

К 043A	◌ ◻ 2DE6	К 041A
Қ 049B	Қ 049A	
Қ 04C4	Қ 04C3	
К 04A1	К 04A0	
к 049F	К 049E	
К 049D	К 049C	
К 051F	К 051E	
қ 051B	Қ 051A	
Л 043B	◌ ◻ 2DE7	Л 041B
Л 1D2B		
Л 04C6	Л 04C5	
Л 0513	Л 0512	
л 0521	л 0520	
л 0459	л 0409	
л A665	л A664	
л 0509	л 0508	
л 0515	л 0514	
М 043C	◌ ◻ 2DE8	М 041C

М 04CE	М 04CD								
м A667	М A666								
Н 043D	◌ ◻ 2DE9	Н 041D	Н 1D78						
Ӏ 04CA	Ӏ 04C9								
ӑ 04A3	ӑ 04A2								
ӕ 04C8	ӕ 04C7								
Ӈ 0523	Ӈ 0522								
Ө 04A5	Ө 04A4								
Ӭ 045A	Ӭ 040A								
Ӯ 050B	Ӯ 050A								
О 043E	◌ ◻ 2DEA	⦿ A669	⦿ A66B	⦿ A66D	⦿ A66E	О 041E	⦿ A668	⦿ A66A	⦿ A66C
ö 043E 0308	ö 04E7	Ö 041E 0308	Ö 04E6						
ø 04E9	Θ 04E8								
ë 04E9 0308	ë 04EB	Ë 04E8 0308	Ë 04EA						
П 043F	◌ ◻ 2DEB	П 041F							
Ӓ 04A7	Ӓ 04A6								
Ϛ 0481	Ϛ 0480								































p 0440	◌ ◻ 2DEC	P 0420			
Ɔ 048F	Ɔ 048E				
ϣ 0517	ϣ 0516				
ċ 0441	◌ ◻ 2DED	C 0421	◌ ◻ 2DF5		
Ɔ 050D	G 050C				
ç 04AB	Ç 04AA				
Ƨ 0442	◌ ◻ 2DEE	T 0422			
Ƨ A68D	Ƨ A68C				
Ƨ 050F	Ƨ 050E				
Ƨ 04AD	Ƨ 04AC				
Ƨ A68B	Ƨ A68A				
ħ 045B	Ħ 040B				
Ɔ 043A 0301	Ɔ 043A 0341	Ɔ 045C	Ɔ 040C	Ɔ 041A 0301	Ɔ 041A 0341
y 0443	Y 0423	ȳ 04EF	ȳ 04EE		
ÿ 0443 0306	ÿ 045E	ÿ 040E	ÿ 0423 0306		
ÿ 0443 0308	ÿ 04F1	ÿ 0423 0308	ÿ 04F0		
ÿ 0443 030B	ÿ 04F3	ÿ 0423 030B	ÿ 04F2		
Y 04AF	Y 04AE				

Ÿ 04B1	Ÿ 04B0	
ȝ A64B	◌ ◻ 2DF9	ȝ A64A
oy 0479	Oy 0478	
ϕ 0444	Φ 0424	
x 0445	◌ ◻ 2DEF	X 0425
ȝ 04FD	X̃ 04FC	
x 04FF	X 04FE	
x̃ 04B3	X̃ 04B2	
h 04BB	h 04BA	
h̃ A695	h̃ A694	
w 0461	ᵂ 0460	
w̃ 047F	ᵂ̃ 047E	
ω A64D	Ω A64C	
ω̃ 047D	Ω̃ 047C	
⊞ 047B	⊞ 047A	
Ц 0446	◌ ◻ 2DF0	Ц 0426
ϋ A68F	ϋ A68E	
Ц 04B5	Ц 04B4	



Ѓ A691	Ѓ A690		
ґ 0447	◌ ◻ 2DF1	ґ 0427	
Ғ A693	Ғ A692		
ӥ 0447 0308	ӥ 04F5	ӥ 0427 0308	ӥ 04F4
ҕ 04B7	ҕ 04B6		
Җ 04CC	Җ 04CB		
Ҙ 04B9	Ҙ 04B8		
Ү A687	Ү A686		
ѐ 04BD	ѐ 04BC		
ё 04BF	ё 04BE		
Ү 045F	Ү 040F		
Ш 0448	◌ ◻ 2DF2	Ш 0428	
Ш A697	Ш A696		
Щ 0449	◌ ◻ 2DF3	Щ 0429	
Ъ A64F	Ъ A64E		
Ы 2E2F			
ы A67F			
Ь 044A	Ь 042A		

ы	Ы		
A651	A650		
ы	Ы		
044B	042B		
Ы	Ы	Ы	Ы
044B 0308	04F9	042B 0308	04F8
ь	Ь		
044C	042C		
ь	Ь		
048D	048C		
ѣ	◌ ◻	ѣ	
0463	2DFA	0462	
ѣ	ѣ		
A653	A652		
э	Э		
044D	042D		
Э	Э	Э	Э
044D 0308	04ED	042D 0308	04EC
ю	◌ ◻	Ю	
044E	2DFB	042E	
Ѡ	Ѡ		
A655	A654		
ѡ	◌ ◻	ѡ	
A657	2DFC	A656	
я	Я		
044F	042F		
Ѣ	Ѣ		
0519	0518		
Ѥ	Ѥ		
0465	0464		
Ѧ	◌ ◻	Ѧ	
0467	2DFD	0466	
ѧ	ѧ		
A659	A658		
Ѩ	◌ ◻	Ѩ	
046B	2DFE	046A	

 A65B	 A65A		
 0469	 0468		
 A65D	 A65C		
 046D	 2DFF	 046C	
 046F	 046E		
 0471	 0470		
 0473	 2DF4	 0472	
 0475	 0474		
 0475 030F	 0477	 0474 030F	 0476
 A65F	 A65E		
 04A9	 04A8		
 051D	 051C		
 04CF	 04C0		